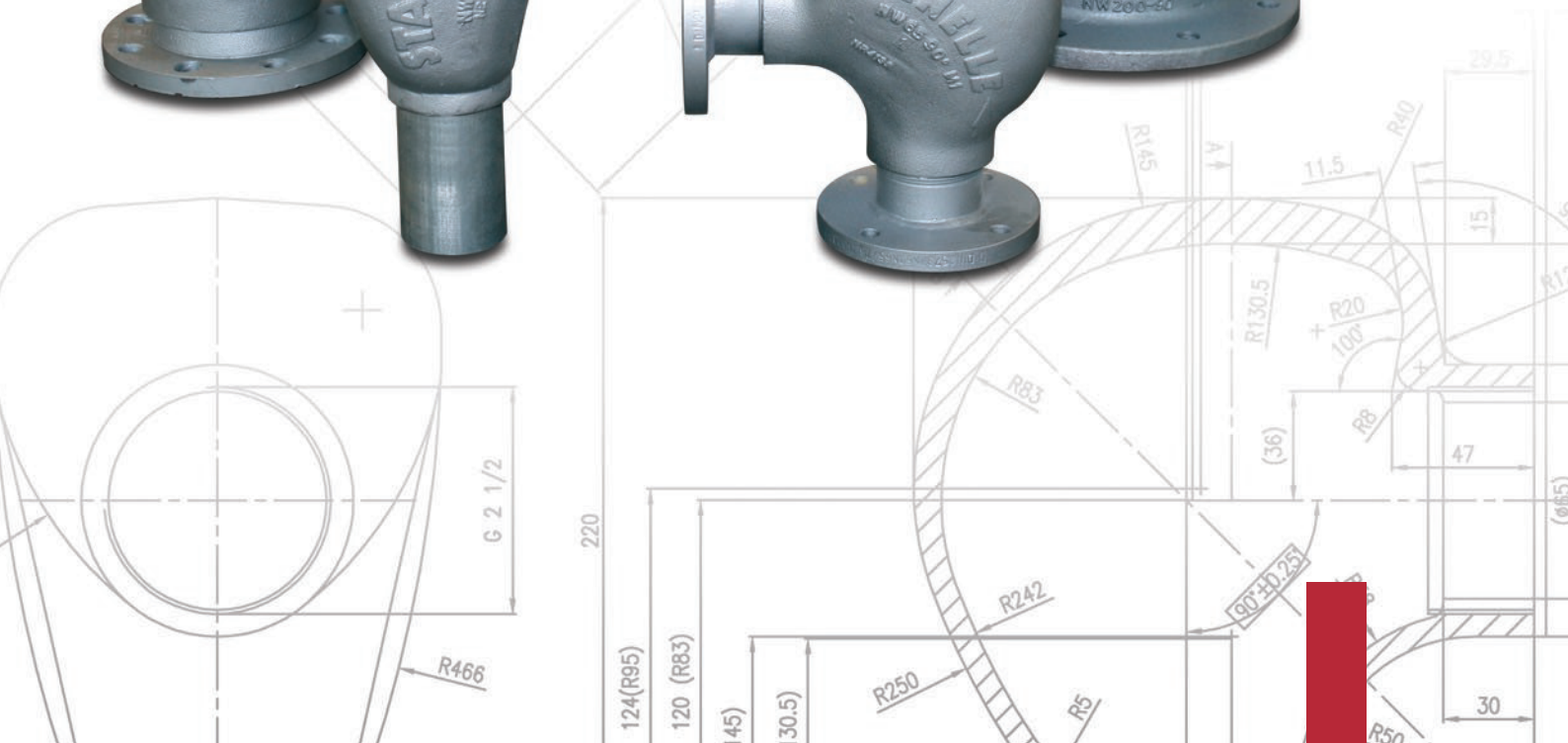
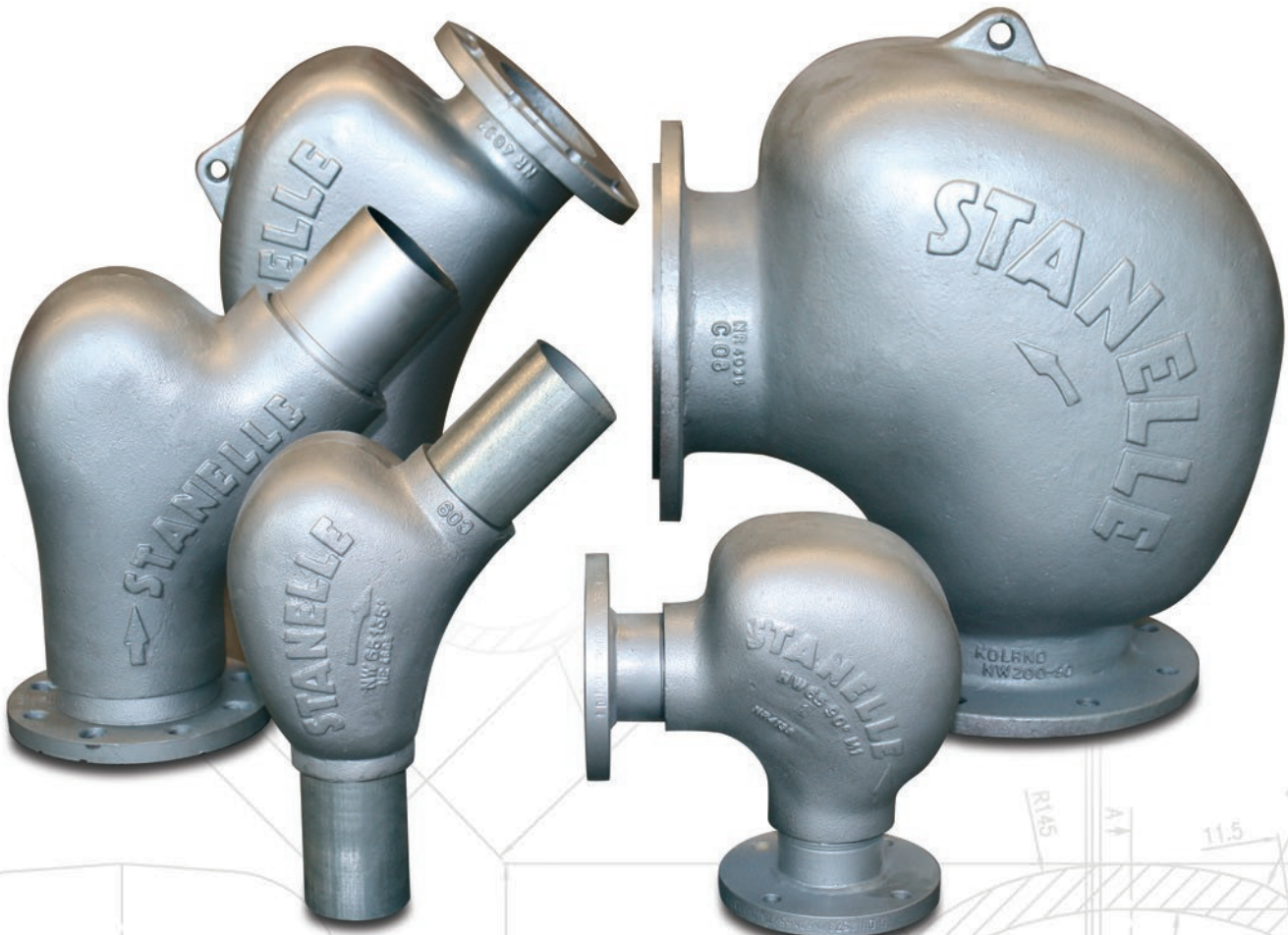




**STANELLE**<sup>®</sup>  
SILOS + AUTOMATION

## Flow-Bow<sup>®</sup>

*Stanelle - always the best solution*



## Flow-Bow<sup>®</sup>

### The strong deflector elbow

For the gentle deflection of pneumatically conveyed, dense phase, abrasive bulk materials. Effective material stream guidance, optimal wall thickness, and high strength cast steel guarantee extremely long service lives.

#### Areas of application:

The FLOW-BOW elbow serves to deflect dry, non-clodding bulk material with a highly wear-resistant system around corners in dense phase material conveying pipelines. Areas of application are manifold: From powdery and splintery materials to highly abrasive bulk materials, e.g. quartz sand, shotcrete, basalt chips as well as for cocoa husks and even applications in animal carcass rendering plants. For application in the plastics- and foodstuffs industries special cast stainless steel (1.4408) models are available.



#### Functionality:

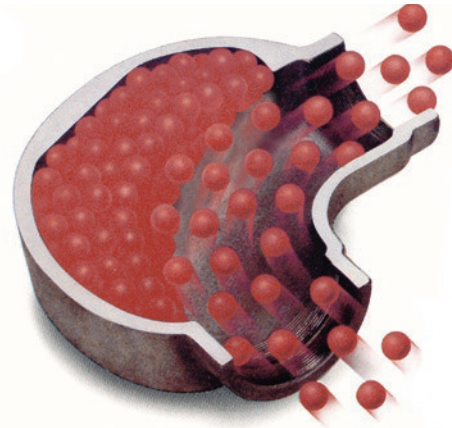
The FLOW-BOW is designed so that a cushion of material forms at the deflection site when bulk goods are being conveyed. At this point the bulk goods are deflected with little abrasion. At the end of conveying this material cushion is purged completely with the final surge.



#### Applications:

- stone, earth, and mining industry
- foundries
- ceramics and glass industry
- chemicals and food industry
- carcass rendering plant

*... the original*



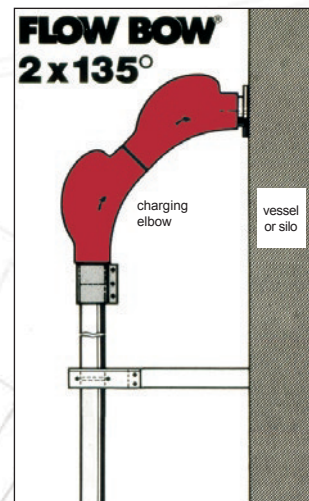
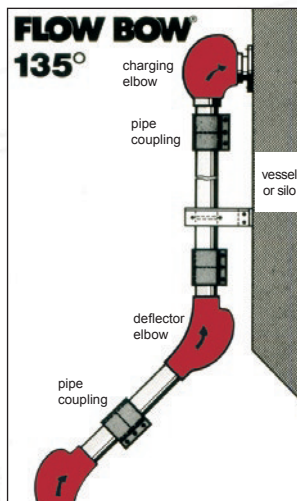
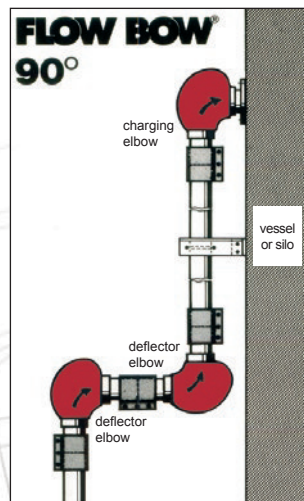
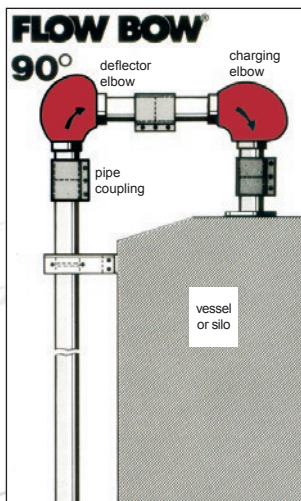
The following nominal diameters (mm) are available:

40	50	65	80	100	125	150	175	200
----	----	----	----	-----	-----	-----	-----	-----

90° and 135° elbow, special sizes on request.

The illustration shows the wall thicknesses and the material cushion in the FLOW-BOW during dense phase conveying; the optimal protection against abrasion is therefore obtained for the deflection of bulk goods.

**Example applications:**



**Advantages:**

- minimisation of incidents and therefore minimum material loss for less impact on the environment
- long service lives for high economical efficiency
- protection against abrasion through optimal wall thicknesses and cushioning of the material flow
- reduced abrasion even for chipped, abrasive bulk goods
- abrasion zones displaced into the material cushion
- **FLOW-BOW** up to DN 100 – variable and interchangeable inlet and outlet sides
- optimal sizes and weights for simplified installation and removal



Stanelle Silos + Automation GmbH  
 Langwiesenstr. 6  
 D-74363 Güglingen

tel +49 7135 9530-0  
 fax +49 7135 9530-17

info@stanelle.de  
 www.stanelle.de

**Further components:**

Dedusting



Controlling



Discharging



Shut-off devices



Loading



Filling

